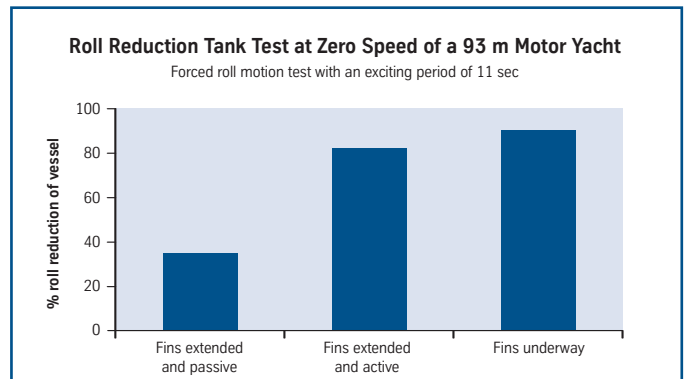
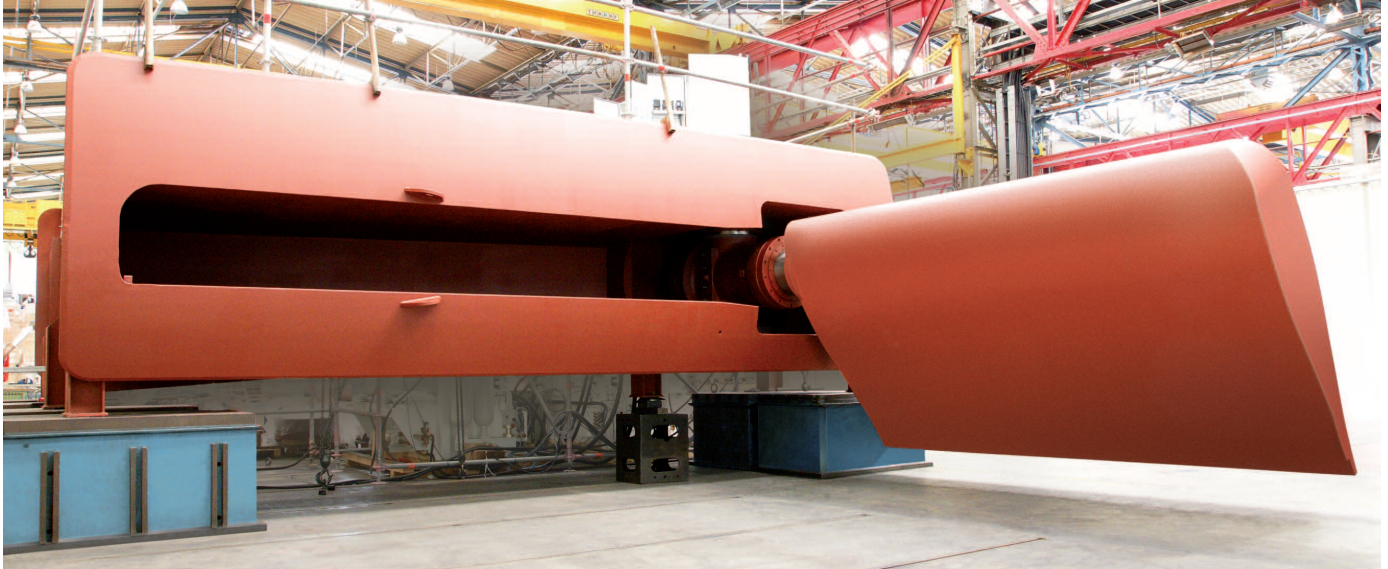


# SIMPLEX-COMPACT

## Retractable Fin Stabilizer Type Z

The best of both worlds – stabilization underway and at zero speed



Since the 1960's Blohm + Voss Industries has supplied high-efficiency retractable fin stabilizers to different kinds of vessels worldwide.

The Type Z fin stabilizer has been specially designed and developed for motor yachts and cruise vessels with demanding specifications for stabilization both at zero speed and underway. It utilizes long-time experience and well proven components

from the Type S stabilizer together with a new fin profile and modified actuator and control system. Numerical analysis and tank tests have been performed to verify the optimal fin shape, working angle and stabilizing performance.

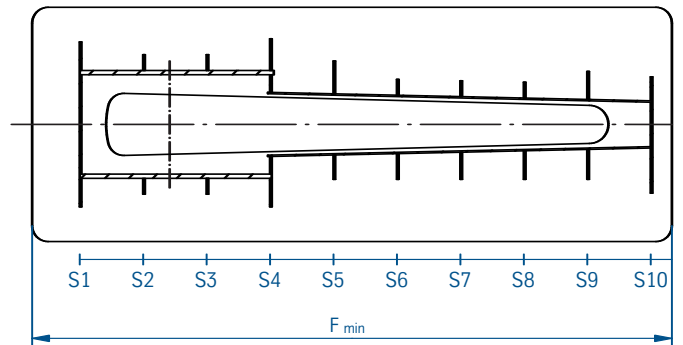
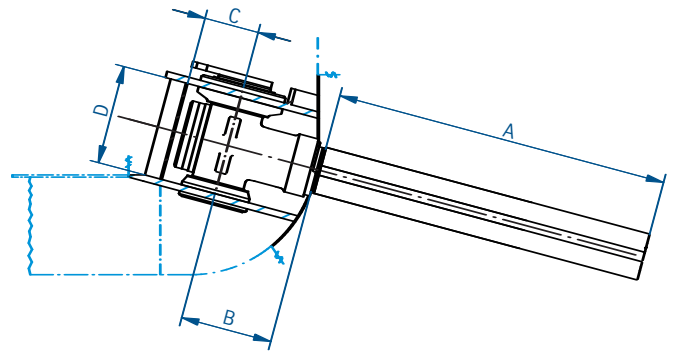
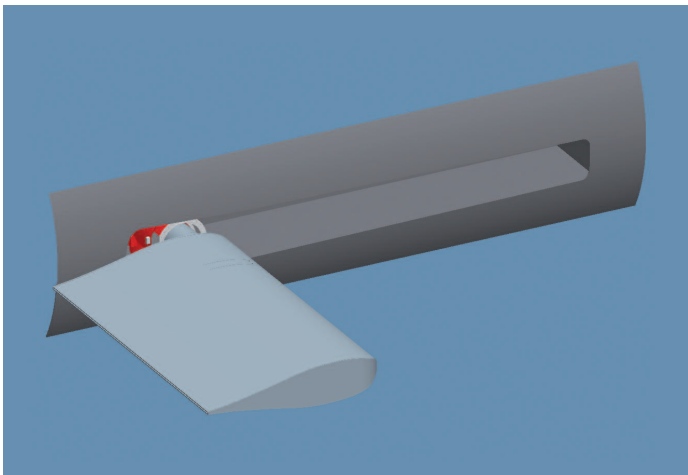
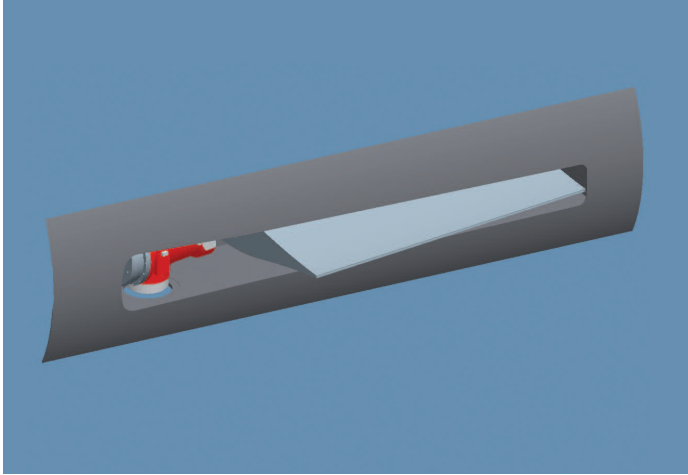
- **New Fin Profile.** One-piece fin specially designed for optimum stabilization.
- **Retractable fins.** Stabilizer fins are stored when not in use.

- **Large fin range available** depending on size and performance requirements of the vessel.
- **Rotary Vane Actuators.** The well proven rotary vane motor has been modified to operate with an angle of  $\pm 60^\circ$  to ensure reliable and correct roll reduction at all conditions.
- **Accumulator Supported Hydraulic System** has a very fast response ensuring high stabilizing performance in all conditions.
- The fin stabilizers are operated by **Simplex-Compact Adaptive Control**, which is a highly reliable automatic control system for easy operation and monitoring as well as simple installation.
- **Touch Control Panels** are installed on the bridge and in the ECR to simplify control and supervising of the fin stabilizers.

**Blohm + Voss Industries**



# Stabilization underway and at zero speed



	Z300	Z400	Z500
<b>Fin Area [m<sup>2</sup>] up to</b>	7	11	15
<b>A [m]</b>	3,5	4,4	5,2
<b>B [m]</b>	0,95	0,985	1,2
<b>C [m]</b>	0,58	0,685	0,8
<b>D [m]</b>	0,952	1,22	1,4
<b>F<sub>min</sub> [m]</b>	5,7	6,8	7,9